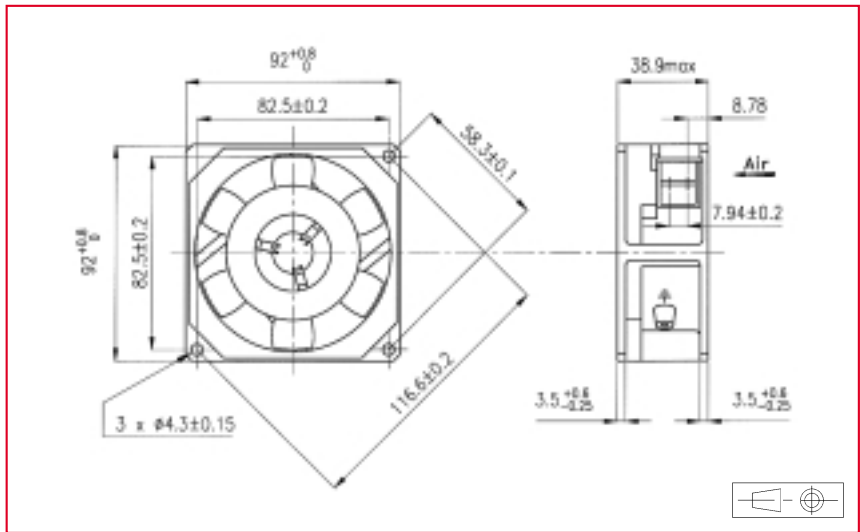
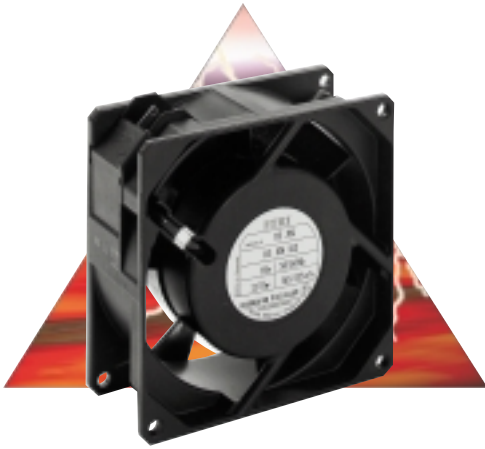


92 x 92 x 38 mm



AC
Axial Fans

Approvals

See selection guide pages 15 to 26
GAMT 1 listed

Life expectancy

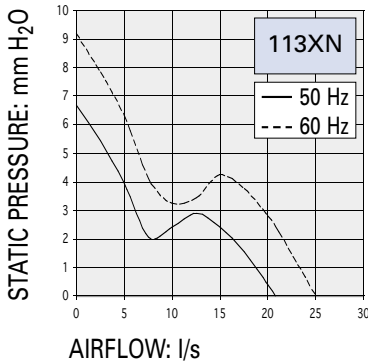
L-10 LIFE AT 40°C:
80 000 hours (ball bearings)
50 000 hours (sleeve bearings)
For more details, see page 14

AC Motor

Electrical protection: impedance protected
Housing material: zamak
Impeller material: plastic UL 94 VO
Weight: 0,615 kg

Available with:

- flying leads



Non contractual document. Specifications are subject to change without prior notice. Pictures for information only. Edition N°2 / 01.

Part number	Nominal voltage	Airflow	Noise level	Nominal speed	Frequency	Phases	Capacitor	Input power	Nominal current	Starting current	Bearing system		Connection type		Operating temperature	
	V										l/s	dB(A)	RPM	Hz	μF	W
113XN0182000	115	21	36	2850	50	1		10	140	270	X			X	-10	70
		25	41	3300	60	1		9	115	220	X			X	-10	70
113XN0181000	208-240	21	36	2850	50	1		12	85	160	X			X	-10	70
		25	41	3300	60	1		11	75	140	X			X	-10	70
113XN2182000	115	21	36	2850	50	1		10	140	270		X		X	-10	55
		25	41	3300	60	1		9	115	220		X		X	-10	55
113XN2181000	208-240	21	36	2850	50	1		12	85	160		X		X	-10	55
		25	41	3300	60	1		11	75	140		X		X	-10	55

Additional versions:

Salt spray protected - shock and vibration protected - marine specifications - wide temperature range

Accessories:

See pages: 148, 150, 151, 153, 154, 161 and 162