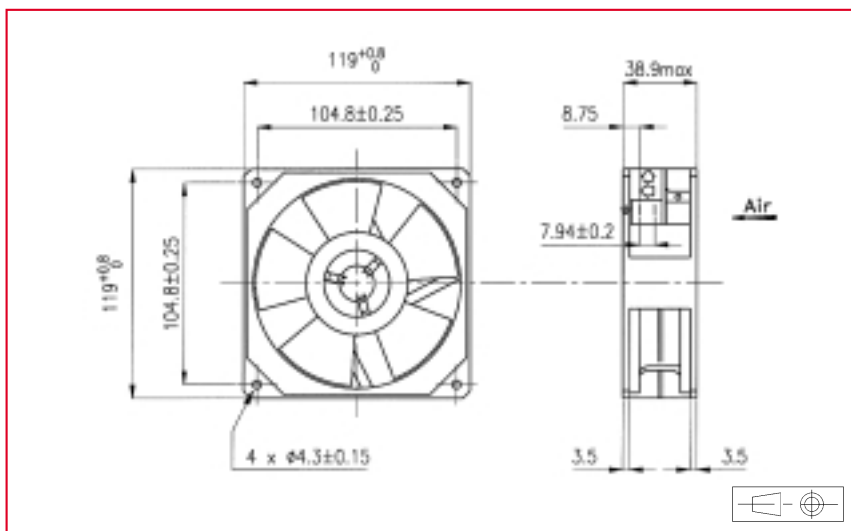


120 x 120 x 38 mm

AC Axial Fans



Approvals

See selection guide pages 15 to 26
GAMT 1 listed

Life expectancy

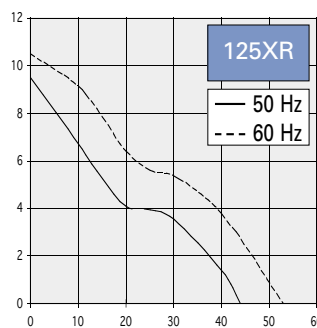
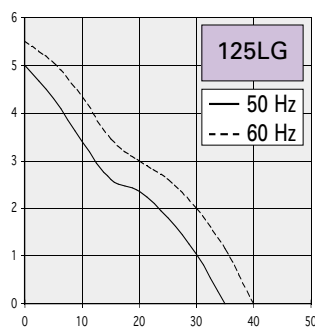
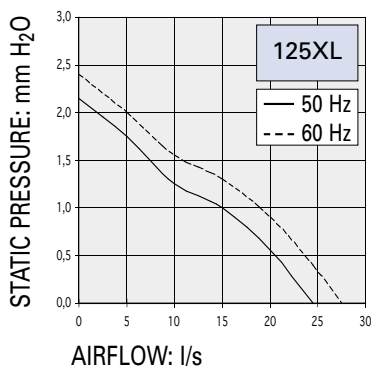
L-10 LIFE AT 40°C:
80 000 hours (ball bearings)
50 000 hours (sleeve bearings)
For more details, see page 14

AC Motor

Electrical protection: impedance protected
Housing material: zamak
Impeller material: plastic UL 94 VO
Weight: 0,725 kg

Available with:

- flying leads
- speed sensor



Part number	Nominal voltage	Airflow	Noise level	Nominal speed	Frequency	Phases	Capacitor	Input power	Nominal current	Starting current	Bearing system		Connection type		Operating temperature	
	V	l/s	dB(A)	RPM	Hz		µF	W	mA	mA	Ball	Sleeve	Leads	Terminals	Min. °C	Max. °C
125XL0182000	115	25	30	1600	50	1		12	135	145	X			X	-10	70
125XL0181000	208-240	27	32	1750	60	1		10	115	125	X			X	-10	70
		25	30	1600	50	1		12	75	90	X			X	-10	70
125LG0182000	115	35	38	2200	50	1		16	200	260	X			X	-10	70
		40	40,5	2500	60	1		13	160	220	X			X	-10	70
125LG0181000	208-240	35	38	2200	50	1		18	110	140	X			X	-10	70
		40	40,5	2500	60	1		15	90	120	X			X	-10	70
125XR0182000	115	44	44	2800	50	1		16	200	310	X			X	-10	70
		53	48	3200	60	1		15	180	260	X			X	-10	70
125XR2182000	115	44	43	2800	50	1		16	200	310		X		X	-10	55
		53	47,5	3200	60	1		15	180	260		X		X	-10	55
125XR0181000	208-240	44	44	2800	50	1		18	125	170	X			X	-10	70
		53	48	3200	60	1		15	105	150	X			X	-10	70
125XR2181000	208-240	44	43	2800	50	1		18	125	170		X		X	-10	55
		53	47,5	3200	60	1		15	105	150		X		X	-10	55

Additional versions: Dual voltage 115 V - 230 V

Salt spray protected - shock and vibration protected - marine specifications - wide temperature range - 125XL and 125LG in sleeve bearings

Accessories:

See pages: 148, 150, 151, 152, 153, 154, 157, 161 and 162

Non contractual document. Specifications are subject to change without prior notice. Pictures for information only. Edition N°2 / 01.