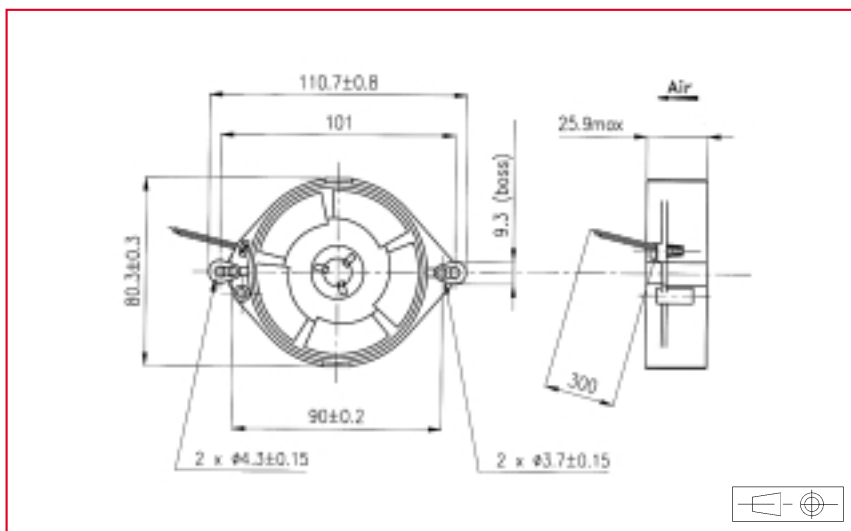


ø 80 x 25 mm

AC Axial Fans



Approvals

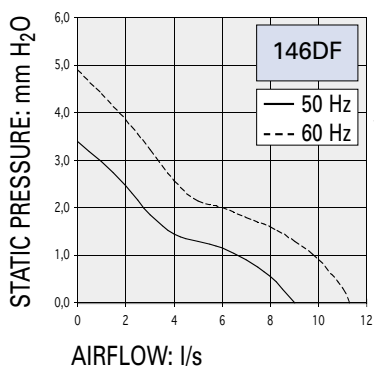
See selection guide pages 15 to 26
GAMT 1 listed

Life expectancy

L-10 LIFE AT 40°C:
50 000 hours
For more details, see page 14

AC Motor

Electrical protection: impedance protected
Housing material: zamak
Impeller material: plastic UL 94 VO
Weight: 0,3 kg



Part number	Nominal voltage	Airflow	Noise level	Nominal speed	Frequency	Phases	Capacitor	Input power	Nominal current	Starting current	Bearing system		Connection type		Operating temperature		
	V										l/s	dB(A)	RPM	Hz	µF	W	mA
146DF2182000	115	9	26	2500	50	1		10	105	120		X	X			- 10	55
		11	32	3100	60	1		8	90	110		X	X			- 10	55
146DF2181000	208-240	9	26	2500	50	1		11	60	70		X	X			- 10	55
		11	32	3100	60	1		9	50	60		X	X			- 10	55

Additional versions:

Other speeds - ball bearings - salt spray protected - shock and vibration protected - marine specifications - wide temperature range

Accessories:

See pages: 154

Non contractual document. Specifications are subject to change without prior notice. Pictures for information only. Edition N°2 / 01.