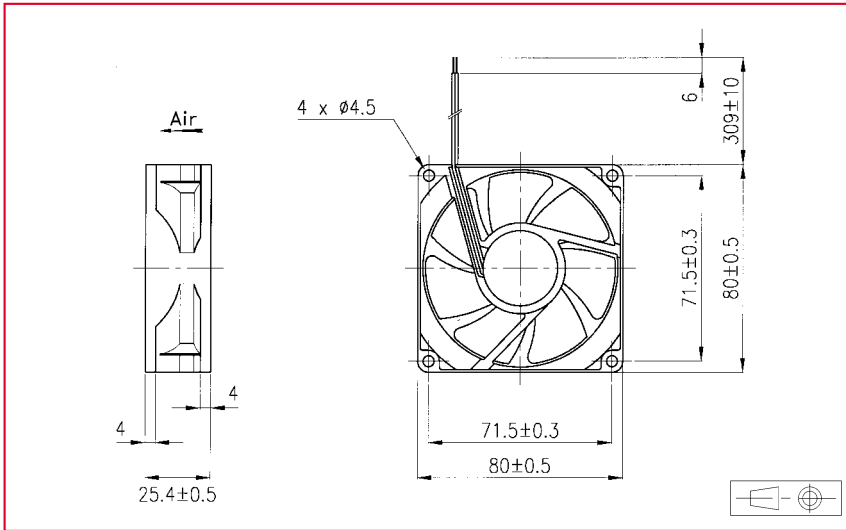


80 x 80 x 25 mm

DC
Axial Fans



Approvals

See selection guide pages 15 to 26

Brushless DC Motor

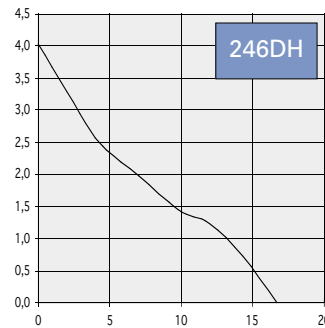
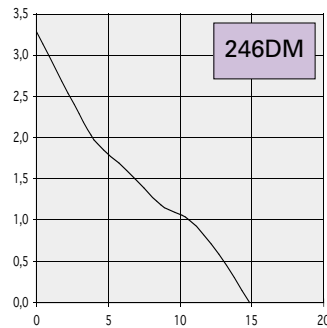
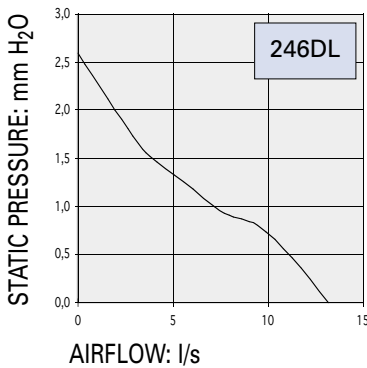
Electrical protection: impedance protected
Housing material: plastic UL 94 VO
Impeller material: plastic UL 94 VO
Weight: 88 g

Available with:

- variable speed
- speed sensor
- alarm

Life expectancy

L-10 LIFE AT 40°C:
80 000 hours (ball bearings)
50 000 hours (sleeve bearings)
For more details, see page 14



Part number	Nominal voltage	Airflow	Noise level	Nominal speed	Input power	Voltage range	Bearing system		Connection type		Operating temperature	
	V						I/s	dB(A)	RPM	W	V	Ball
246DL5LP11000	5	13,2	25	2400	1,2	(4,5-5,5)	X		X		- 10	70
246DL1LP11000	12	13,2	25	2400	1,1	(7-13,8)	X		X		- 10	70
246DL2LP11000	24	13,2	25	2400	1,1	(14-27,6)	X		X		- 10	70
246DL4LP11000	48	13,2	25	2400	2,4	(38-56)	X		X		- 10	70
246DM5LP11000	5	14,8	28	2700	1,7	(4,5-5,5)	X		X		- 10	70
246DM1LP11000	12	14,8	28	2700	1,4	(7-13,8)	X		X		- 10	70
246DM2LP11000	24	14,8	28	2700	1,4	(14-27,6)	X		X		- 10	70
246DM4LP11000	48	14,8	28	2700	2,9	(38-56)	X		X		- 10	70
246DH5LP11000	5	16,7	31	3000	2,2	(4,5-5,5)	X		X		- 10	70
246DH1LP11000	12	16,7	31	3000	1,9	(7-13,8)	X		X		- 10	70
246DH2LP11000	24	16,7	31	3000	1,7	(14-27,6)	X		X		- 10	70
246DH4LP11000	48	16,7	31	3000	3,4	(38-56)	X		X		- 10	70

Additional versions:

Sleeve bearings

Accessories:

See pages: 148, 150, 151, 153, 154 and 162