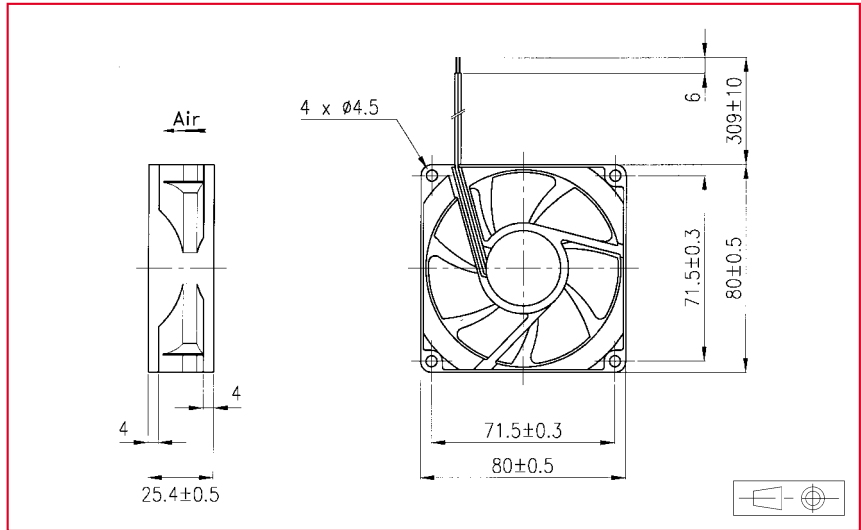


# 80 x 80 x 25 mm



DC  
Axial Fans

### Approvals

See selection guide pages 15 to 26

### Life expectancy

L-10 LIFE AT 40°C:

**80 000 hours** (ball bearings)

**50 000 hours** (sleeve bearings)

For more details, see page 14

### Brushless DC Motor

Electrical protection: impedance protected

Housing material: plastic UL 94 VO

Impeller material: plastic UL 94 VO

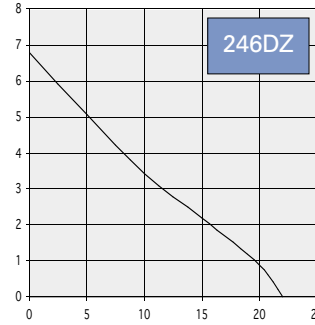
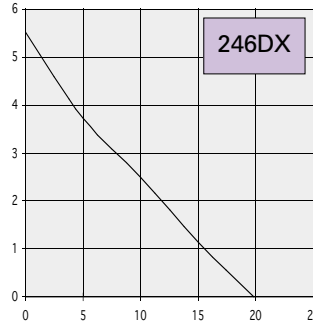
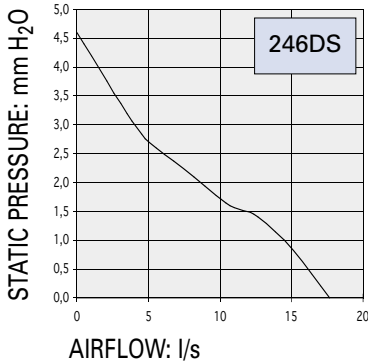
Weight: 88 g

### Available with:

- variable speed

- speed sensor

- alarm



Part number	Nominal voltage	Airflow	Noise level	Nominal speed	Input power	Voltage range	Bearing system		Connection type		Operating temperature	
	V	l/s	dB(A)	RPM	W	V	Ball	Sleeve	Leads	Terminals	Min. °C	Max. °C
246DS1LP11000	12	17,7	34	3250	2,4	(7-13,8)	X		X		- 10	70
246DS2LP11000	24	17,7	34	3250	2,2	(14-27,6)	X		X		- 10	70
246DX1LP11000	12	19,8	39	3600	3,1	(7-13,8)	X		X		- 10	70
246DX2LP11000	24	19,8	39	3600	3,4	(14-27,6)	X		X		- 10	70
246DZ1LP11000	12	22,0	40	4000	4,1	(7-13,8)	X		X		- 10	70
246DZ2LP11000	24	22,0	40	4000	3,8	(14-27,6)	X		X		- 10	70

**Additional versions:**  
246DS available in sleeve bearings

**Accessories:**  
See pages: 148, 150, 151, 153, 154 and 162

Non contractual document. Specifications are subject to change without prior notice. Pictures for information only. Edition N°2 / 01.