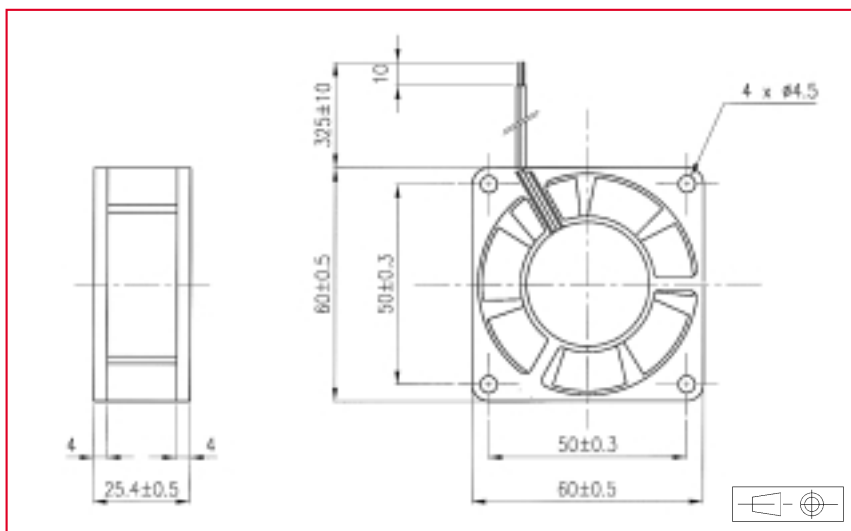


60 x 60 x 25 mm

DC
Axial Fans



Approvals

See selection guide pages 15 to 26

Brushless DC Motor

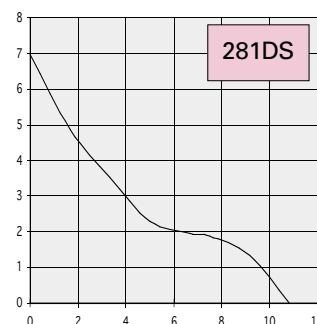
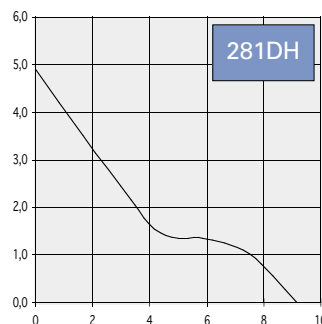
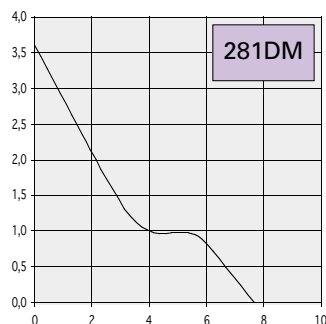
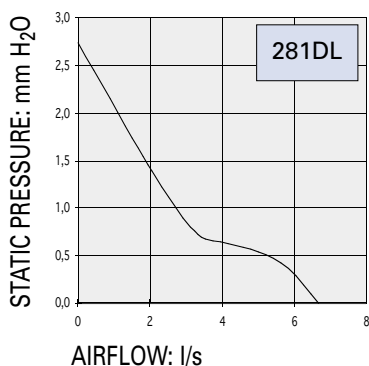
Electrical protection: impedance protected, except 5 V models: integrated circuit
Housing material: plastic UL 94 VO
Impeller material: plastic UL 94 VO
Weight: 77 g

Available with:

- variable speed
- speed sensor
- alarm

Life expectancy

L-10 LIFE AT 40°C:
80 000 hours (ball bearings)
50 000 hours (sleeve bearings)
For more details, see page 14



Part number	Nominal voltage	Airflow	Noise level	Nominal speed	Input power	Voltage range	Bearing system		Connection type		Operating temperature	
	V						I/s	dB(A)	RPM	W	V	Ball
281DL5LP11000	5	6,7	24,5	3100	0,8	(4,5-6)	X		X		- 10	70
281DL1LP11000	12	6,7	22,5	3100	0,7	(7-13,8)	X		X		- 10	70
281DL2LP11000	24	6,7	22,5	3100	1,2	(14-27,6)	X		X		- 10	70
281DL4LP11000	48	6,7	22,5	3100	1,9	(28-56)	X		X		- 10	70
281DM5LP11000	5	7,7	24,5	3600	1,1	(4,5-6)	X		X		- 10	70
281DM1LP11000	12	7,7	24,5	3600	1,0	(7-13,8)	X		X		- 10	70
281DM2LP11000	24	7,7	24,5	3600	1,4	(14-27,6)	X		X		- 10	70
281DM4LP11000	48	7,7	24,5	3600	1,9	(28-56)	X		X		- 10	70
281DH5LP11000	5	9,2	30	4250	1,6	(4,5-6)	X		X		- 10	70
281DH1LP11000	12	9,2	28	4250	1,4	(7-13,8)	X		X		- 10	70
281DH2LP11000	24	9,2	28	4250	1,9	(14-27,6)	X		X		- 10	70
281DH4LP11000	48	9,2	28	4250	2,4	(28-56)	X		X		- 10	70
281DS1LP11000	12	10,8	33	5000	2,2	(7-13,8)	X		X		- 10	70
281DS2LP11000	24	10,8	33	5000	2,2	(14-27,6)	X		X		- 10	70
281DS4LP11000	48	10,8	33	5000	2,9	(28-56)	X		X		- 10	70

Additional versions:

Sleeve bearings
Higher speeds (see page 41)

Accessories:

See pages: 148, 150, 151, 154 and 162