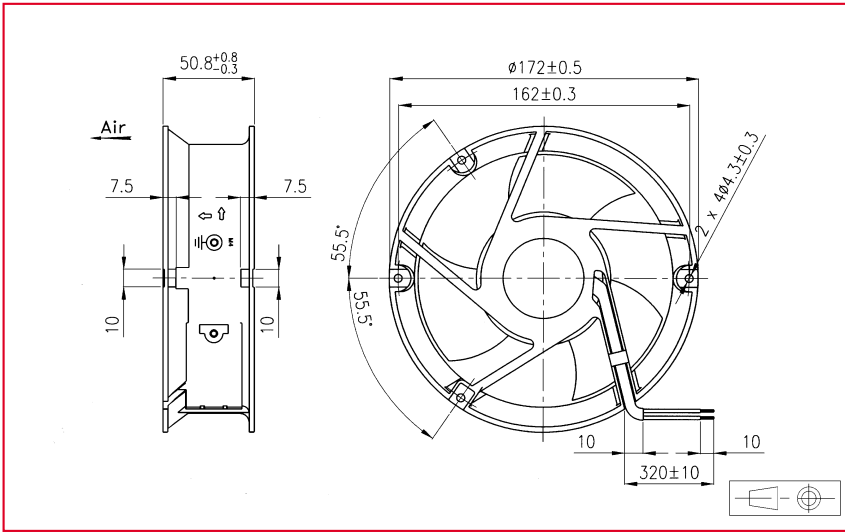


# ø 172 x 50 mm

DC Axial Fans



### Approvals

See selection guide pages 15 to 26

### Life expectancy

L-10 LIFE AT 40°C:

80 000 hours

For more details, see page 14

### Brushless DC Motor

Electrical protection: impedance protected

Housing material: aluminium

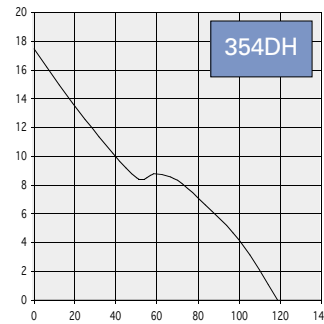
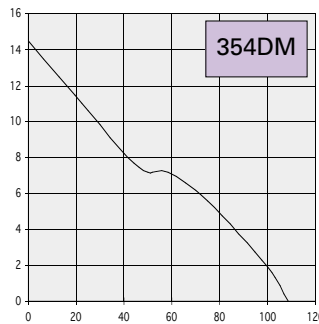
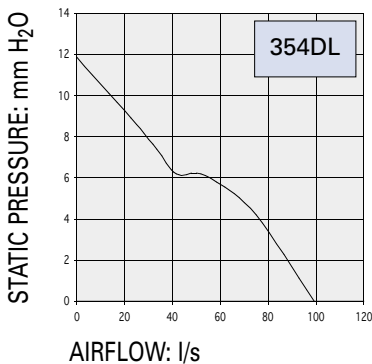
Impeller material: plastic UL 94 VO

Weight: 840 g

### Available with:

- speed sensor

- alarm



Part number	Nominal voltage	Airflow	Noise level	Nominal speed	Input power	Voltage range	Bearing system		Connection type		Operating temperature	
	V						I/s	dB(A)	RPM	W	V	Ball
354DL1LM11000	12	99,2	50	2800	10,1	(8-14)	X		X		- 10	70
354DL2LM11000	24	99,2	50	2800	10,1	(12-28)	X		X		- 10	70
354DL4LM11000	48	99,2	50	2800	11,5	(24-56)	X		X		- 10	70
354DM1LM11000	12	108,7	52	3050	12,6	(8-14)	X		X		- 10	70
354DM2LM11000	24	108,7	52	3050	11,8	(12-28)	X		X		- 10	70
354DM4LM11000	48	108,7	52	3050	13,9	(24-56)	X		X		- 10	70
354DH1LM11000	12	118,8	55	3350	16,8	(8-14)	X		X		- 10	70
354DH2LM11000	24	118,8	55	3350	15,1	(12-28)	X		X		- 10	70
354DH4LM11000	48	118,8	55	3350	16,8	(24-56)	X		X		- 10	70

### Additional versions:

Higher speeds (see page 67)

### Accessories:

See pages: 150, 151, 154, 157 and 162

Non contractual document. Specifications are subject to change without prior notice. Pictures for information only. Edition N°2 / 01.