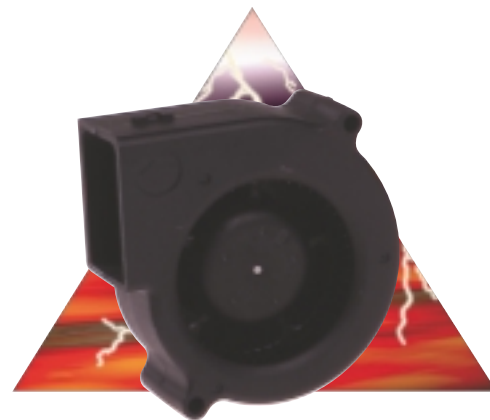
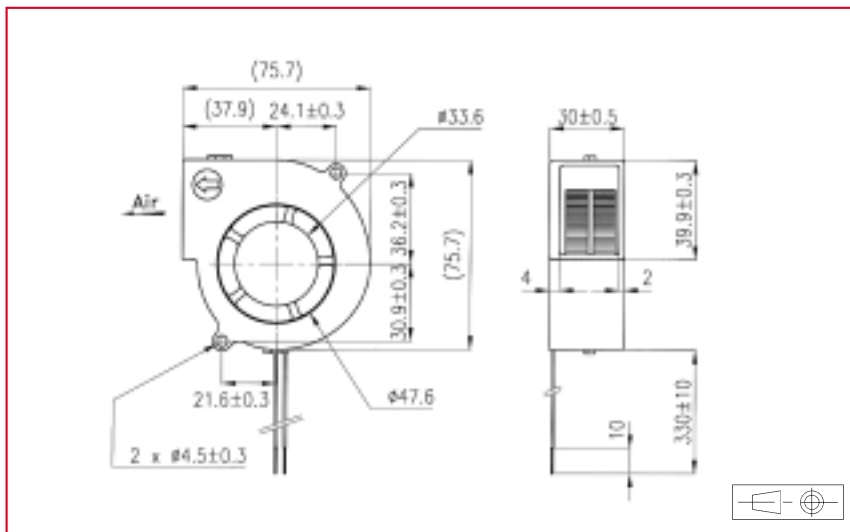


75,7 x 75,7 x 30 mm



Approvals

See selection guide pages 15 to 26

Brushless DC Motor

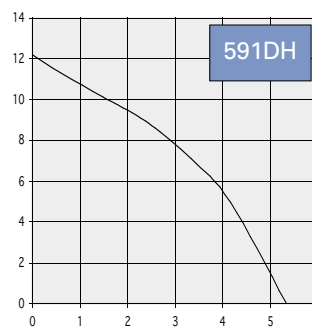
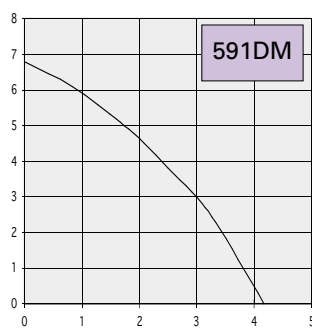
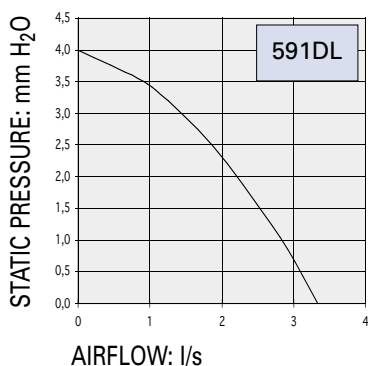
Electrical protection: impedance protected
 Housing material: plastic UL 94 VO
 Impeller material: plastic UL 94 VO
 Weight: 95 g

Available with:

- speed sensor
- alarm

Life expectancy

L-10 LIFE AT 40°C:
25 000 hours
 For more details, see page 14



DC Centrifugal Blowers

Part number	Nominal voltage	Airflow	Noise level	Nominal speed	Input power	Voltage range	Bearing system		Connection type		Operating temperature	
	V	l/s	dB(A)	RPM	W	V	Ball	Sleeve	Leads	Terminals	Min. °C	Max. °C
591DL1LP11000	12	3,3	26	1900	0,72	(7-13,8)	X		X		- 10	60
591DL2LP11000	24	3,3	26	1900	1,20	(14-27,6)	X		X		- 10	60
591DM1LP11000	12	4,2	32	2350	1,56	(7-13,8)	X		X		- 10	60
591DM2LP11000	24	4,2	32	2350	1,68	(14-27,6)	X		X		- 10	60
591DH1LP11000	12	5,3	38	2900	2,64	(7-13,8)	X		X		- 10	60
591DH2LP11000	24	5,3	38	2900	2,88	(14-27,6)	X		X		- 10	60

Non contractual document. Specifications are subject to change without prior notice. Pictures for information only. Edition N°2 / 01.