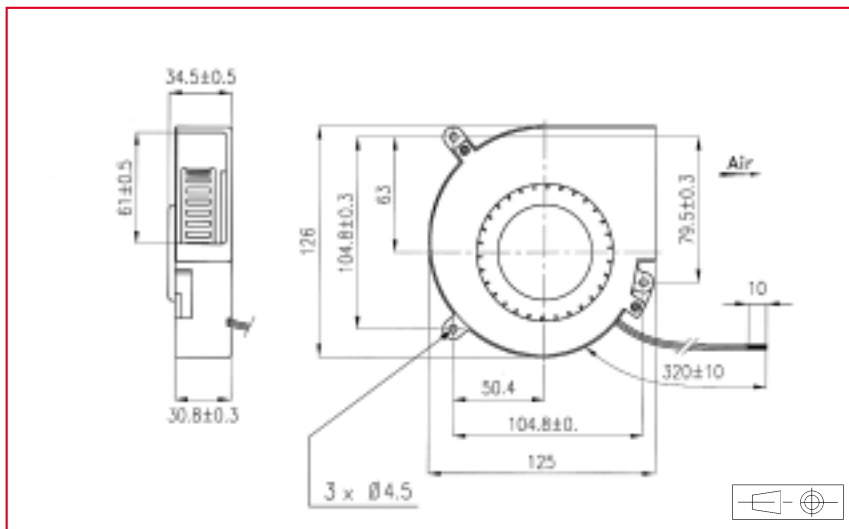


# 126 x 125 x 34,5 mm



### Approvals

See selection guide pages 15 to 26

### Life expectancy

L-10 LIFE AT 40°C:

**25 000 hours**

For more details, see page 14

### Brushless DC Motor

Electrical protection: impedance protected

Housing and Impeller material: plastic UL 94 VO

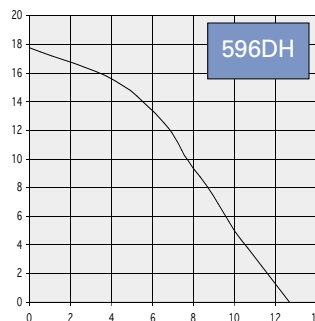
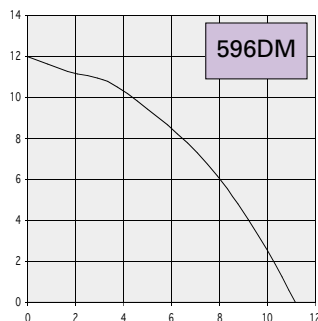
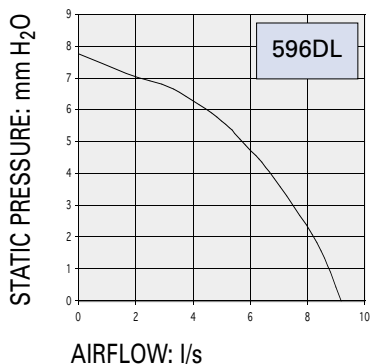
Weight: 325 g

Autorestart + polarity inversion

### Available with:

- speed sensor

- open collector alarm



Non contractual document. Specifications are subject to change without prior notice. Pictures for information only. Edition N°2 / 01.

DC Centrifugal Blowers

Part number	Nominal voltage	Airflow	Noise level	Nominal speed	Input power	Voltage range	Bearing system		Connection type		Operating temperature	
	V	l/s	dB(A)	RPM	W	V	Ball	Sleeve	Leads	Terminals	Min. °C	Max. °C
596DL1LP11000	12	9,2	42,5	1700	2,88	(7-13,8)	X		X		- 10	60
596DL2LP11000	24	9,2	42,5	1700	3,12	(14-28)	X		X		- 10	60
596DL4LP11000	48	9,2	42,5	1700	3,84	(38-56)	X		X		- 10	60
596DM1LP11000	12	11,2	46	2000	5,0	(7-13,8)	X		X		- 10	60
596DM2LP11000	24	11,2	46	2000	5,52	(14-28)	X		X		- 10	60
596DM4LP11000	48	11,2	46	2000	5,76	(38-56)	X		X		- 10	60
596DH1LP11000	12	12,8	51,5	2300	8,16	(7-13,8)	X		X		- 10	60
596DH2LP11000	24	12,8	51,5	2300	8,16	(14-28)	X		X		- 10	60

### Accessories:

See page: 162