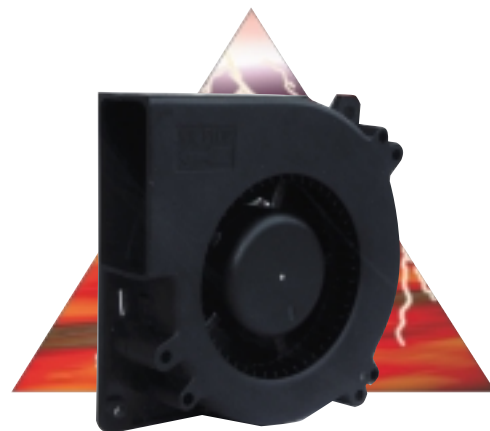
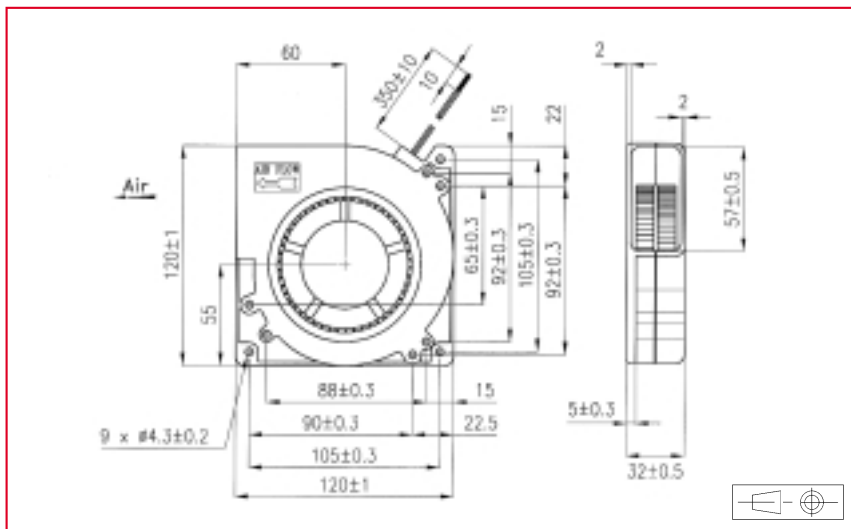


120 x 120 x 32 mm



Approvals

See selection guide pages 15 to 26

Life expectancy

L-10 LIFE AT 40°C:

25 000 hours

For more details, see page 14

Brushless DC Motor

Electrical protection: impedance protected

Housing material: plastic UL 94 VO

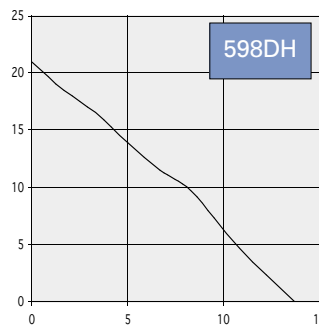
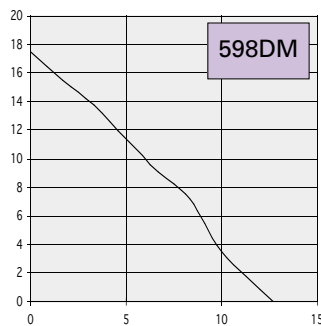
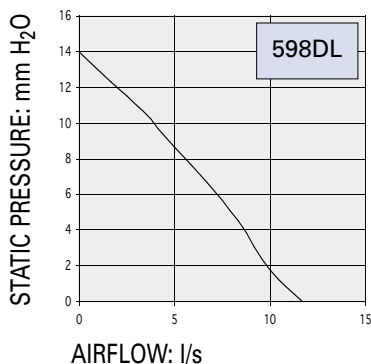
Impeller material: plastic UL 94 VO

Weight: 230 g

Available with:

- speed sensor

- alarm



Part number	Nominal voltage	Airflow	Noise level	Nominal speed	Input power	Voltage range	Bearing system		Connection type		Operating temperature	
	V	l/s	dB(A)	RPM	W	V	Ball	Sleeve	Leads	Terminals	Min. °C	Max. °C
598DL1LP11000	12	11,7	47	2100	4,80	(4-13,8)	X		X		- 10	60
598DL2LP11000	24	11,7	47	2100	5,76	(7-27,6)	X		X		- 10	60
598DM1LP11000	12	12,7	48,5	2300	6,96	(4-13,8)	X		X		- 10	60
598DM2LP11000	24	12,7	48,5	2300	6,72	(7-27,6)	X		X		- 10	60
598DH1LP11000	12	13,7	51	2500	9,84	(4-13,8)	X		X		- 10	60
598DH2LP11000	24	13,7	51	2500	8,40	(7-27,6)	X		X		- 10	60

Additional versions:

Higher speeds - 48 V versions (consult factory)

Accessories:

See page: 162

Non contractual document. Specifications are subject to change without prior notice. Pictures for information only. Edition N°2 / 01.