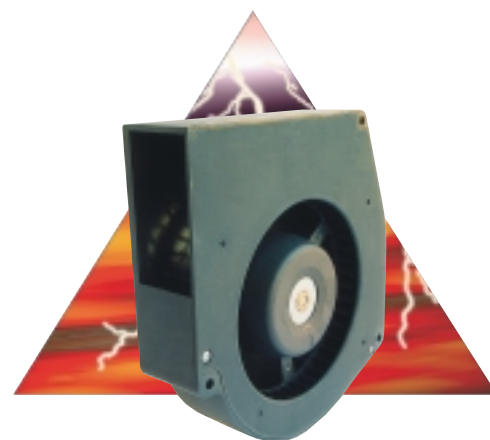
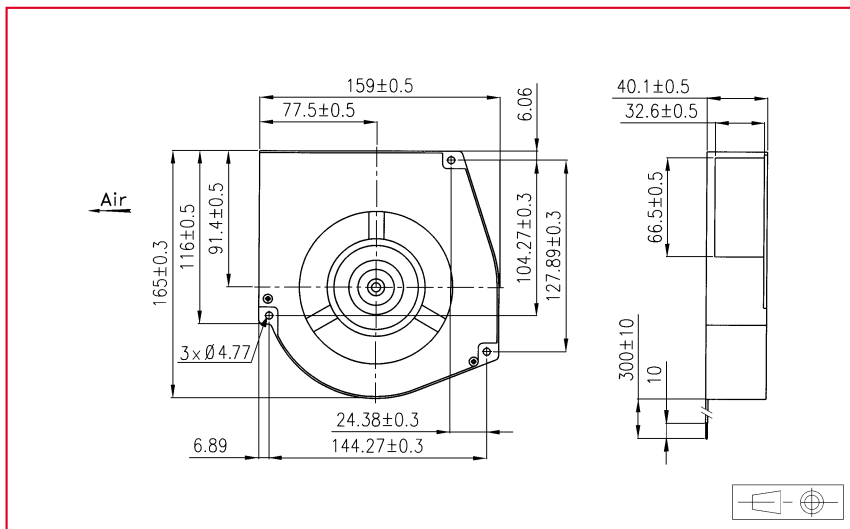


165 x 159 x 40 mm



Approvals

See selection guide pages 15 to 26

Life expectancy

L-10 LIFE AT 40°C:

25 000 hours

For more details, see page 14

Brushless DC Motor

Electrical protection: impedance protected

Housing material: plastic UL 94 VO

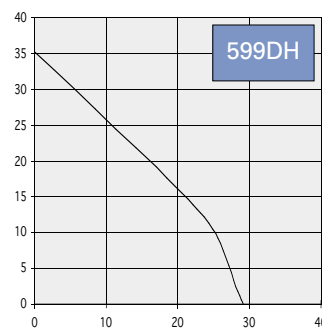
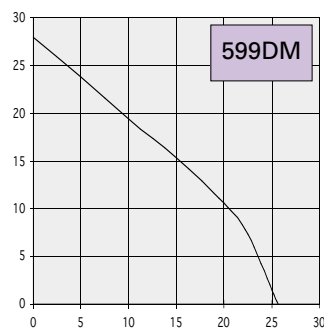
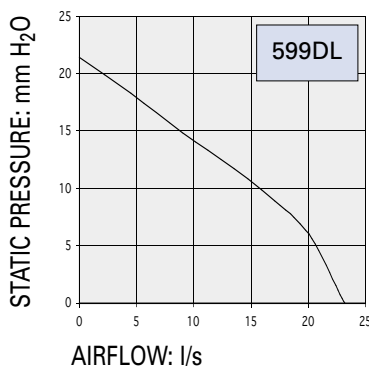
Impeller material: plastic UL 94 VO

Weight: 588 g

Available with:

- speed sensor

- alarm



DC Centrifugal Blowers

Part number	Nominal voltage	Airflow	Noise level	Nominal speed	Input power	Voltage range	Bearing system		Connection type		Operating temperature	
	V						I/s	dB(A)	RPM	W	V	Ball
599DL1LP11000	12	23,2	51,5	1800	9,6	(7-13,2)V	X		X		- 10	60
599DL2LP11000	24	23,2	51,5	1800	9,6	(14-26,4)V	X		X		- 10	60
599DL4LP11000	48	23,2	51,5	1800	10,6	(28-56)V	X		X		- 10	60
599DM1LP11000	12	25,7	54,5	2000	13,2	(7-13,2)V	X		X		- 10	60
599DM2LP11000	24	25,7	54,5	2000	13,4	(14-26,4)V	X		X		- 10	60
599DM4LP11000	48	25,7	54,5	2000	13,4	(28-56)V	X		X		- 10	60
599DH1LP11000	12	29,2	56,5	2200	17,2	(7-13,2)V	X		X		- 10	60
599DH2LP11000	24	29,2	56,5	2200	17,8	(14-26,4)V	X		X		- 10	60

Accessories:

See page: 162