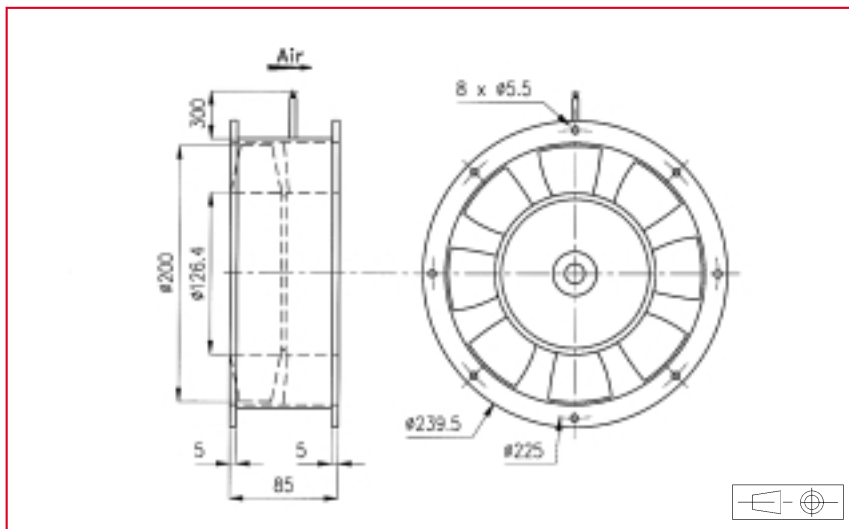
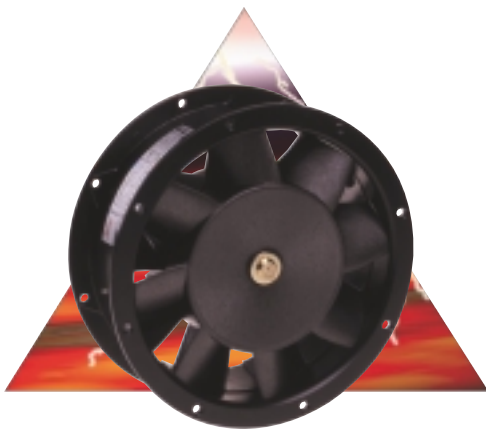


Ø 239,5 x 85 mm



Approvals

See selection guide pages 15 to 26
GAMT 1 listed

Life expectancy

L-10 LIFE AT 40°C:

25 000 hours

For more details, see page 14

AC Motor

Housing material: aluminium

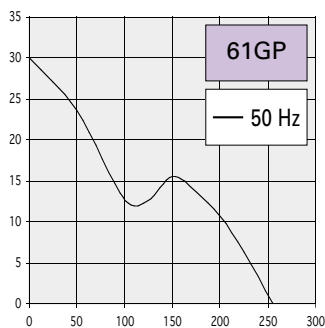
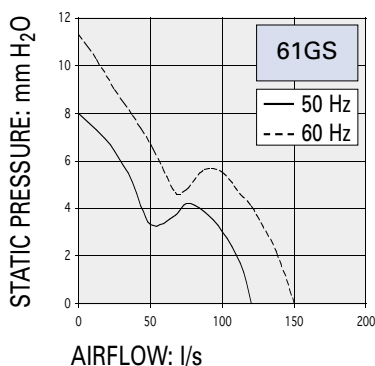
Impeller material: plastic

Weight: 3,85 kg

Bearing system: ball bearings

Available with:

- safety switch
- terminal block
- aluminium impeller



Non contractual document. Specifications are subject to change without prior notice. Pictures for information only. Edition N°2 / 01.

High Performance

Part number	Nominal voltage	Airflow	Noise level	Nominal speed	Frequency	Phases	Capacitor (not included)	Input power	Nominal current	Starting current	Connection type		Operating temperature	
	V	l/s	dB(A)	RPM	Hz						Leads	Terminals	Min. °C	Max. °C
61GS016DC13	220	126	49	1450	50	3		18	135	440	X		- 10	70
	380	126	49	1450	50	3		18	50	255	X		- 10	70
	220	148	52	1700	60	3		20	115	385	X		- 10	70
	380	148	52	1700	60	3		20	70	210	X		- 10	70
	220	126	49	1450	50	1	1,47	18	130	360	X		- 10	70
	380	126	49	1450	50	1	0,47	18	75	225	X		- 10	70
61GP016DC13	220	148	52	1700	60	1	1,47	21	110	310	X		- 10	70
	380	148	52	1700	60	1	0,47	21	65	180	X		- 10	70
	220	255	65	2800	50	3		64	265	1300	X		- 10	70
	380	255	65	2800	50	3		64	155	750	X		- 10	70
	220	255	65	2800	50	1	4,7	68	325	1100	X		- 10	70
	380	255	65	2800	50	1	1,47	68	190	640	X		- 10	70

Additional versions:

Salt spray protected - shock and vibration protected - marine specifications - wide temperature range - other voltages (consult factory)

Accessories:

See pages: 155, 158, 159 and 163