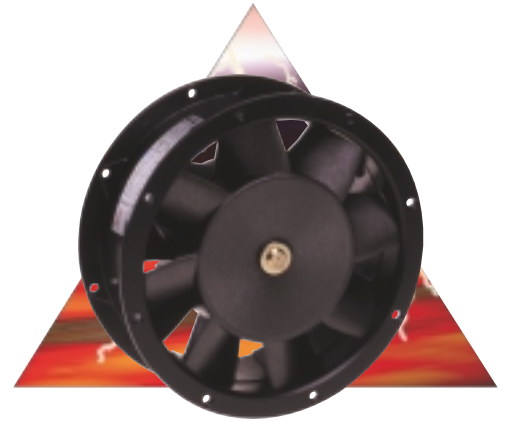
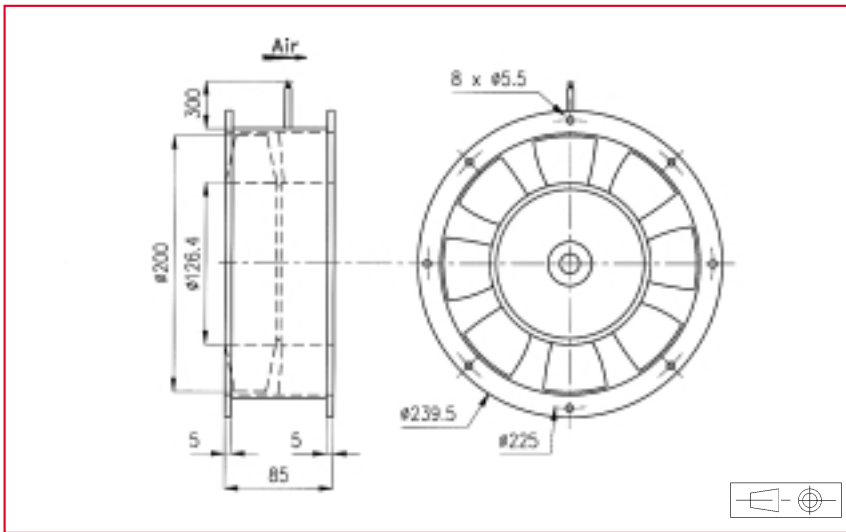


# ø 239,5 x 85 mm



### Approvals

See selection guide pages 15 to 26  
GAMT 1 listed

### Life expectancy

L-10 LIFE AT 40°C:  
**25 000 hours**  
For more details, see page 14

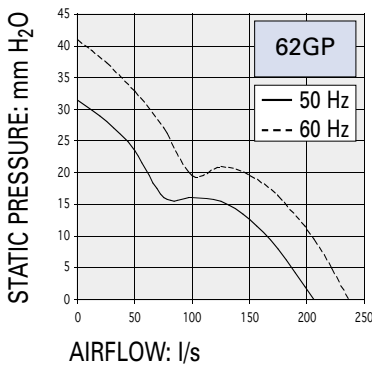
### AC Motor

Housing material: aluminium  
Impeller material: aluminium  
Weight: 4,2 kg  
Bearing system: ball bearings

### Available with:

- safety switch
- terminal block
- plastic impeller

High Performance



Part number	Nominal voltage	Airflow	Noise level	Nominal speed	Frequency	Phases	Capacitor	Input power	Nominal current	Starting current	Connection type		Operating temperature	
	V	l/s	dB(A)	RPM	Hz		(not included)	W	mA	mA	Leads	Terminals	Min. °C	Max. °C
62GP016DC13	220	205	63	2900	50	3		45	270	1300	X		- 10	70
	380	205	63	2900	50	3		45	155	750	X		- 10	70
	220	240	66	3400	60	3		58	230	1200	X		- 10	70
	380	240	66	3400	60	3		58	135	700	X		- 10	70
	220	205	63	2900	50	1	3,2	46	260	1100	X		- 10	70
	380	205	63	2900	50	1	1	46	150	650	X		- 10	70
	220	240	66	3400	60	1	3,2	61	280	1000	X		- 10	70
	380	240	66	3400	60	1	1	61	160	600	X		- 10	70

### Additional versions:

Salt spray protected - shock and vibration protected - marine specifications - wide temperature range - other voltages (consult factory)

### Accessories:

See pages: 155, 158, 159 and 163

Non contractual document. Specifications are subject to change without prior notice. Pictures for information only. Edition N°2 / 01.