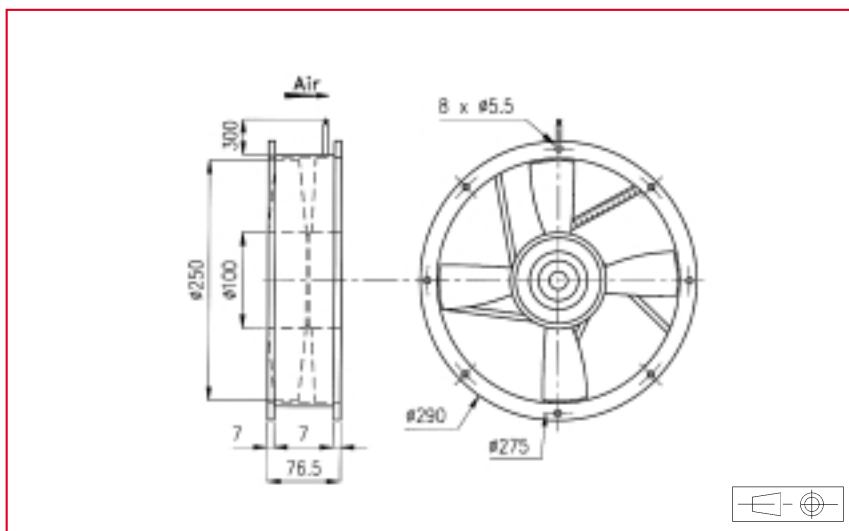


ø 290 x 76,5 mm



Approvals

See selection guide pages 15 to 26
GAMT 1 listed

Life expectancy

L-10 LIFE AT 40°C:

25 000 hours

For more details, see page 14

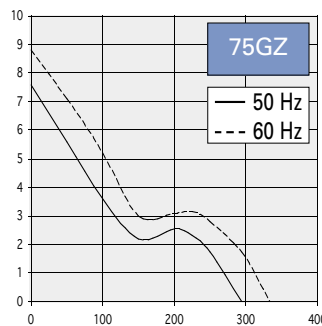
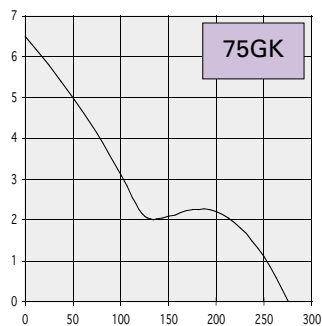
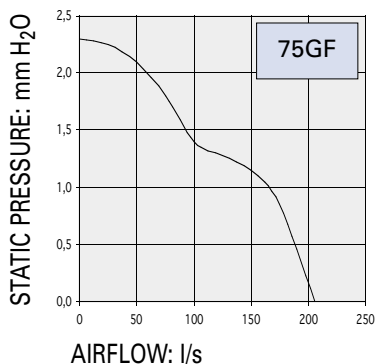
AC Motor

Housing material: aluminium

Impeller material: plastic

Weight: 2,9 kg

Bearing system: ball bearings



Non contractual document. Specifications are subject to change without prior notice. Pictures for information only. Edition N°2 / 01.

High Performance

Part number	Nominal voltage	Airflow	Noise level	Nominal speed	Frequency	Phases	Capacitor (not included)	Input power	Nominal current	Starting current	Connection type		Operating temperature	
	V	l/s	dB(A)	RPM	Hz		µF	W	mA	mA	Leads	Terminals	Min. °C	Max. °C
75GF026AC11	110	206	45	1000	50	1		28	370	470	X		- 10	55
	220	206	45	1000	50	1		28	185	235	X		- 10	55
75GK026AC11	110	275	54	1350	50	1		41	610	1150	X		- 10	55
	220	275	54	1350	50	1		41	305	575	X		- 10	55
75GZ026DC13	220	290	55	1400	50	3		38	155	385	X		- 10	70
	380	290	55	1400	50	3		38	90	225	X		- 10	70
	220	330	58	1600	60	3		40	145	355	X		- 10	70
	380	330	58	1600	60	3		40	85	210	X		- 10	70
	220	290	55	1400	50	1	2,2	34	165	330	X		- 10	70
	380	290	55	1400	50	1	0,69	34	100	200	X		- 10	70
	220	320	58	1600	60	1	2,2	42	210	320	X		- 10	70
	380	320	58	1600	60	1	0,69	42	125	190	X		- 10	70

Additional versions:

Salt spray protected - shock and vibration protected - marine specifications - wide temperature range - other voltages (consult factory)

Accessories:

See pages: 155, 158, 159 and 163