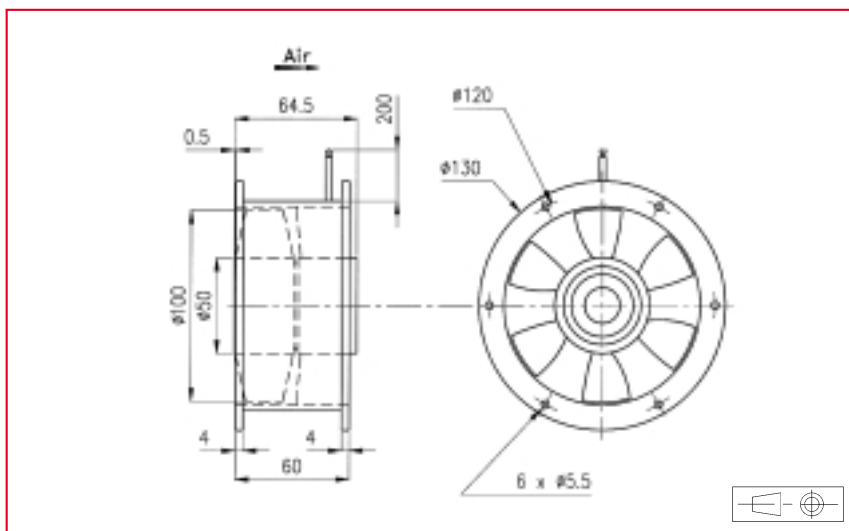


# Ø 130 x 64,5 mm



### Approvals

See selection guide pages 15 to 26  
GAMT 1 listed

### Life expectancy

L-10 LIFE AT 40°C:

**25 000 hours**

For more details, see page 14

### AC Motor

Housing material: aluminium

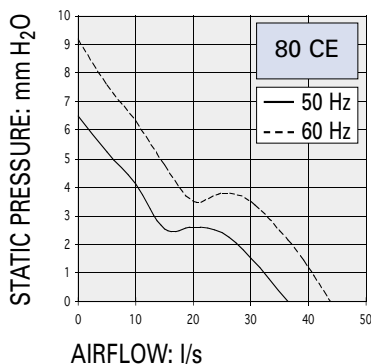
Impeller material: aluminium

Weight: 0,7 kg

Bearing system: ball bearings

### Available with:

- square flanges



Non contractual document. Specifications are subject to change without prior notice. Pictures for information only. Edition N°2 / 01.

High Performance

Part number	Nominal voltage	Airflow	Noise level	Nominal speed	Frequency	Phases	Capacitor <i>(not included)</i>	Input power	Nominal current	Starting current	Connection type		Operating temperature	
	V	l/s	dB(A)	RPM	Hz						Leads	Terminals	Min. °C	Max. °C
80CE0161C13	220	36	45	2900	50	3		23	80	110	X		- 10	70
	220	44	49	3400	60	3		18	65	110	X		- 10	70
	220	36	45	2900	50	1	1	17	80	105	X		- 10	70
	220	44	49	3400	60	1	1	16	75	105	X		- 10	70

### Additional versions:

Salt spray protected - shock and vibration protected - marine specifications - wide temperature range - other voltages (consult factory)

### Accessories:

See pages: 157 and 163