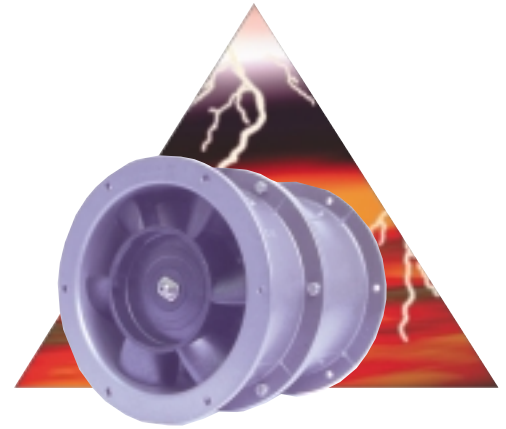
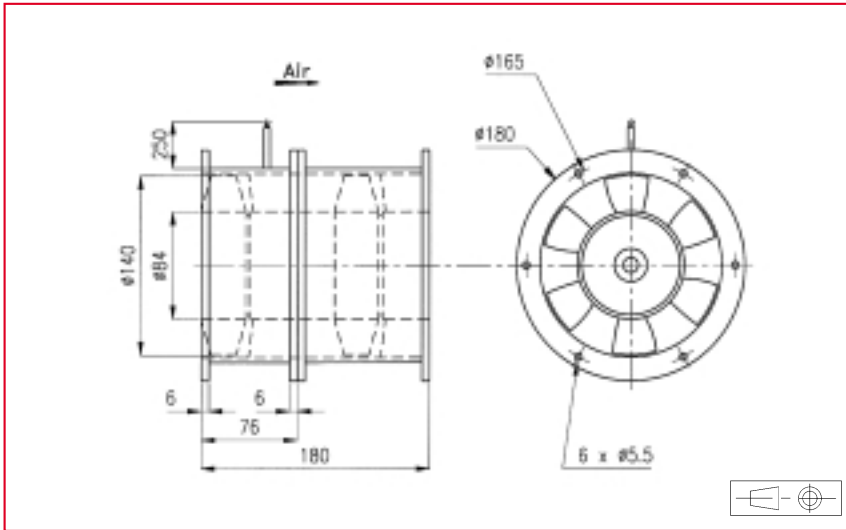


ø 180 x 180 mm



Approvals

See selection guide pages 15 to 26
GAMT 1 listed

Life expectancy

L-10 LIFE AT 40°C:
25 000 hours
For more details, see page 14

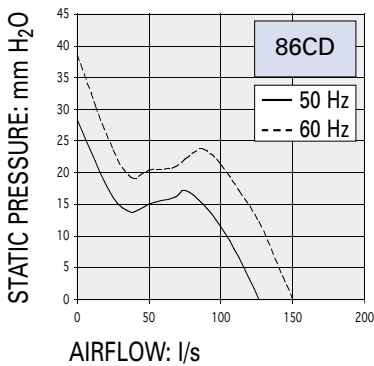
AC Motor

Housing material: aluminium
Impeller material: plastic
Weight: 4 kg
Bearing system: ball bearings

Available with:

- safety switch
- aluminium impeller

High Performance



Part number	Nominal voltage	Airflow	Noise level	Nominal speed	Frequency	Phases	Capacitor <i>(not included)</i>	Input power	Nominal current	Starting current	Connection type		Operating temperature	
	V	l/s	dB(A)	RPM	Hz		µF	W	mA	mA	Leads	Terminals	Min. °C	Max. °C
86CD116DC13	220	126	63	2850	50	3		54	275	880	X		- 10	70
	380	126	63	2850	50	3		54	155	510	X		- 10	70
	220	148	66	3250	60	3		71	260	840	X		- 10	70
	380	148	66	3250	60	3		71	150	485	X		- 10	70
	220	126	63	2850	50	1	3,2	54	290	790	X		- 10	70
	380	126	63	2850	50	1	1	54	165	460	X		- 10	70
	220	148	66	3250	60	1	3,2	71	340	760	X		- 10	70
	380	148	66	3250	60	1	1	71	195	440	X		- 10	70

Additional versions:

Salt spray protected - shock and vibration protected - marine specifications - wide temperature range - other voltages (consult factory)

Accessories:

See pages: 155, 156, 158, 157, 159 and 163

Non contractual document. Specifications are subject to change without prior notice. Pictures for information only. Edition N°2 / 01.